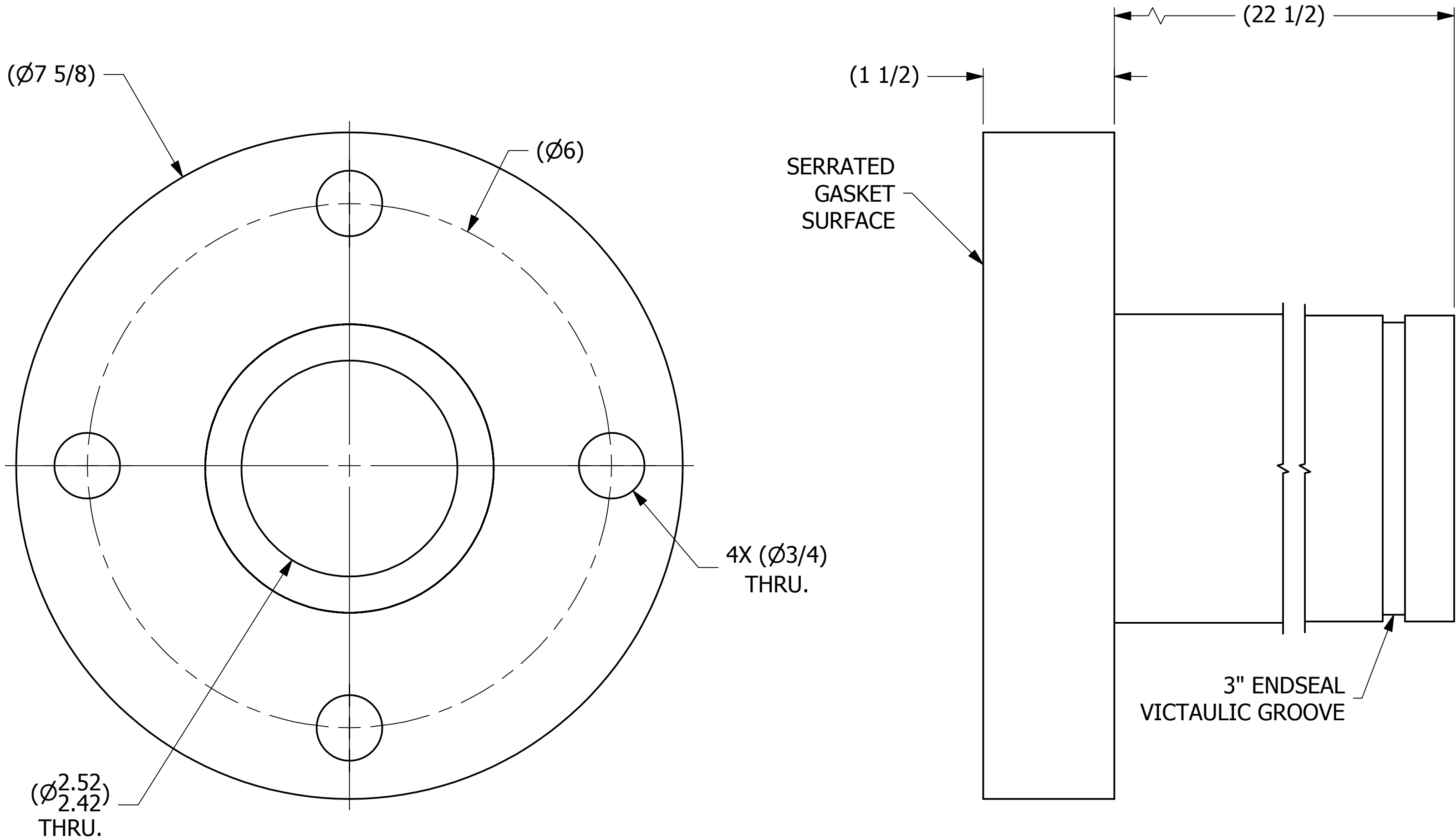


SALES DRAWING SALES DRAWING

SALES DRAWING SALES DRAWING



- NOTES:**
1. SOLD TO WORLEY WELDING ONLY.
 2. FOR NON-FLAMMABLE SERVICE ONLY.
 3. AAR APPROVAL NUMBER IS E-162104.

C	RJP	3-20-14	UPDATED TITLE BLOCK
B	REH	10-20-11	PART# WAS HS3DT225BK, ADDED BOM
A	CHL	12-9-09	NEW PART ADDED TO SYSTEM
REV	BY	DATE	DESCRIPTION

<small>UNLESS OTHERWISE SPECIFIED DIMENSIONAL TOLERANCES FRACTIONAL: ±1/16 X.XX: ±.03 X.XXX: ±.015 ANGLE: ±1° DEBURR ALL SHARP EDGES. ALL MACHINED SURFACES TO HAVE A 125 RMS FINISH UNLESS NOTED OTHERWISE.</small>	DRAWN BY:	VD
	CHECKED BY:	PJG
	PROTOTYPE BY:	VD
	PROTOTYPE DATE:	11/5/2009
	APPROVED FOR PRODUCTION BY:	CHL
	PRODUCTION DATE:	12/9/2009

SALCO PRODUCTS, INC.		
PART NAME: EDUCATION TUBE 3"		
MATERIAL: SALCO PE		
PROJECT #: 090428	SHEET #: 1 OF 1	SCALE: 1:1
DRAWING #: C27703	PART #: HS3PST225BK	

THIS PRINT, PROPERTY OF SALCO PRODUCTS INC., CONTAINS PROPRIETARY INFORMATION AND MUST NOT BE COPIED, REPRODUCED, OR USED DETRIMENTALLY TO OUR INTEREST.

